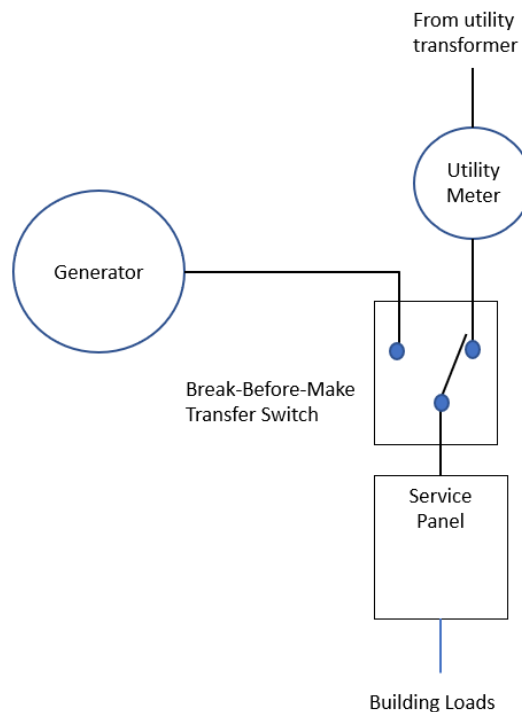




Emergency Generator - Open Transition Switch Requirements

April 27, 2020

This guide lists requirements for interconnecting a generator to building wiring where generator will be used for emergency power supply only. The following diagram is a general 1-line diagram to illustrate interconnecting a generator to the line side of the building service panel, and does not include other equipment or devices that may be required by code or local ordinances.



Requirements:

1. All electrical equipment installation and wiring must be installed in accordance with applicable national and local codes and standards, and must be inspected and approved by a state certified electrical inspector.
2. The transfer switch must be open transition with mechanically interlocking contacts that will prevent the generator to be connected in parallel with the utility source.
3. The transition switch must be UL approved.
4. The generator transfer switch must be installed on the load side of the utility meter.
5. No non-utility owned devices are allowed to be installed in the meter socket.